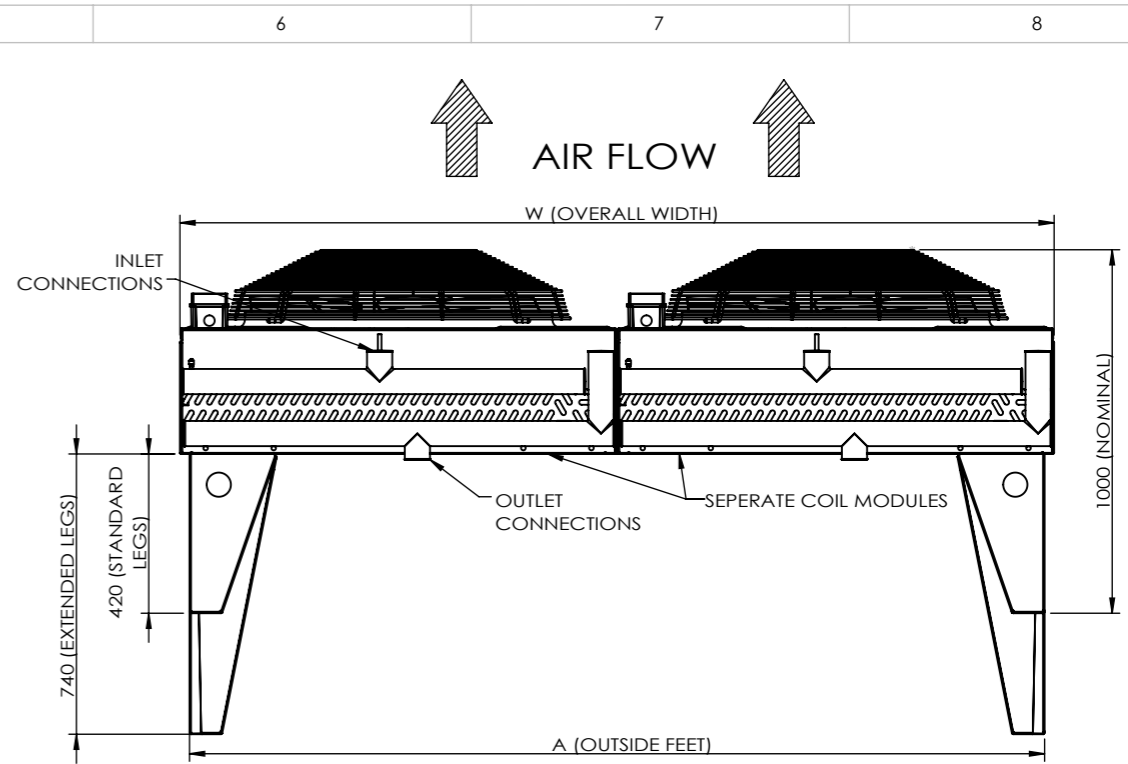
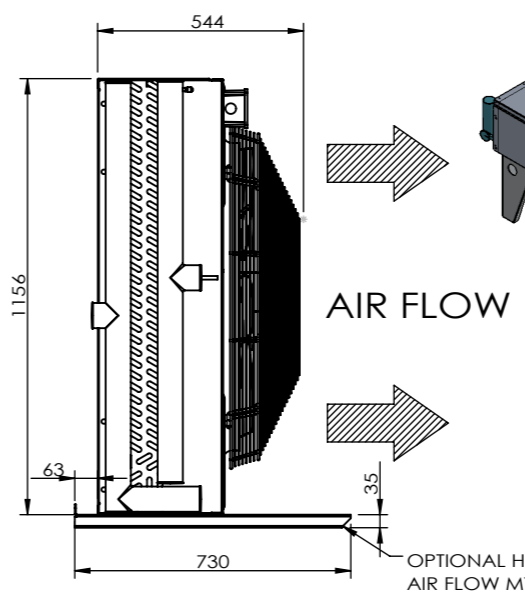


FRONT ELEVATION

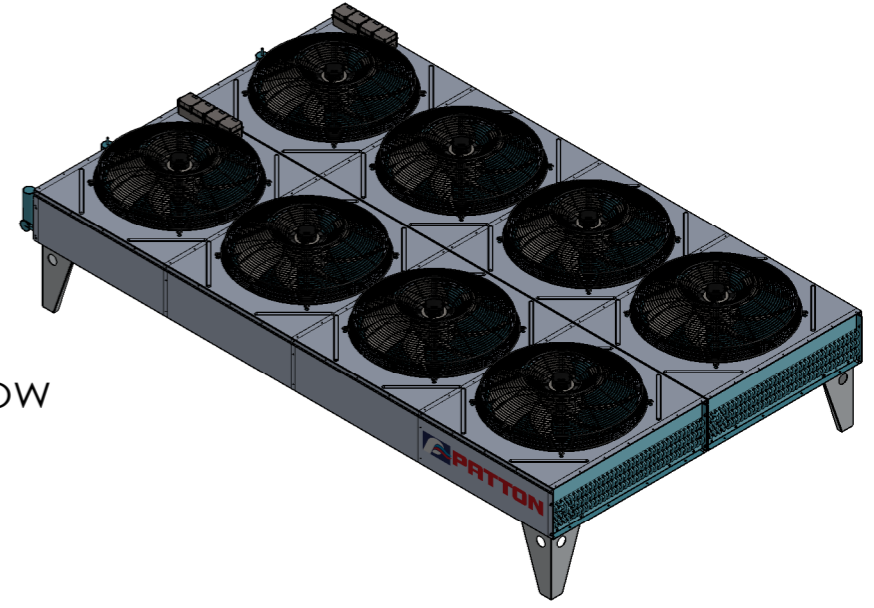


SIDE ELEVATION

MODELS	L	W	B	A	MTG CENTERS	WEIGHT (KG)
H, N, SQAC3500	2270	1156	2130	1100	2002 x 972	238
H, N, SQAC4000	3650	1156	3510	1100	3382 x 972	270
H, N, SQAC5000	3660	1156	3510	1100	3382 x 972	298
H, N, SQAC6000	3660	1156	3510	1100	3382 x 972	378
H, N, SQAC7500	3960	1156	3810	1100	3682 x 972	435
H, N, SQAC7002	2270	2312	2130	2256	2002 x 2128	480
H, N, SQAC8002	3650	2312	3510	2256	3382 x 2128	544
H, N, SQAC10002	3660	2312	3510	2256	3382 x 2128	600
H, N, SQAC12002	3660	2312	3510	2256	3382 x 2128	760
H, N, SQAC15002	3960	2312	3810	2256	3682 x 2128	874
H, N, SQAC10503	2270	3468	2130	1100 + 2256	2002 x 972 + 2002 x 2128	718
H, N, SQAC12003	3650	3468	3510	1100 + 2256	3382 x 972 + 3382 x 2128	814
H, N, SQAC15003	3660	3468	3510	1100 + 2256	3382 x 972 + 3382x2128	898
H, N, SQAC18003	3660	3468	3510	1100 + 2256	3382 x 972 + 3382 x 2128	1138
H, N, SQAC22503	3960	3468	3810	1100 + 2256	3682 x 972 + 3682 x 2128	1309
H, N, SQAC14004	2270	4624	2130	2256 + 2256	2002 x 2128 + 2002 x 2128	960
H, N, SQAC16004	3650	4624	3510	2256 + 2256	3382 x 2128 + 3382 x 2128	1088
H, N, SQAC20004	3660	4624	3510	2256 + 2256	3382 x 2128 + 3382x2128	1200
H, N, SQAC24004	3660	4624	3510	2256 + 2256	3382 x 2128 + 3382 x 2128	1520
H, N, SQAC30004	3960	4624	3810	2256 + 2256	3682 x 2128 + 3682 x 2128	1748



SIDE ELEVATION (OPTIONAL HORI. AIR FLOW)



ISOMETRIC VIEW

PROPRIETARY AND CONFIDENTIAL	DO NOT SCALE DRAWING	REVISION: -
THE DRAWING AND INFORMATION CONTAINED HEREIN ARE THE EXCLUSIVE PROPERTIES OF PATTON LIMITED. IT SHALL BE RETURNED UPON DEMAND AND SHALL NOT BE REPRODUCED IN WHOLE OR IN PART, DISCLOSE TO ANYONE ELSE OR USED WITHOUT THE WRITTEN CONSENT OF PATTON LIMITED.	TITLE: H, N, SQAC SERIES GA H, N, SQAC3500 - 30004 VERTICAL & HORIZONTAL AIR FLOW	
	DWG NO. PL01-ASM-NQ07	A3 26-FEB-2013
WEIGHT: 238 - 1748 KG	DRAWN BY: CAM W.	SHEET 1 OF 1