

## TECHNICAL SHEET

# Z40-154Y

---

## Standard Reciprocating SERIES

### LEGAL DISCLAIMER:

While Frascold has made every effort at the time of publication to ensure the accuracy of the information provided herein, product specifications and performances could be subject to change without notice. You can find the most updated information in our Product Selection Software FSS3 at the link:  
[https://www.frascold.it/en/download/software/fss\\_3\\_frascold\\_selection\\_software](https://www.frascold.it/en/download/software/fss_3_frascold_selection_software).



## Technical data - Z40-154Y

|                                   |                    |              |
|-----------------------------------|--------------------|--------------|
| Nominal motor power               | HP                 | 40           |
| Nominal motor power               | kW                 | 29,8         |
| Displacement @ (1450 rpm - 50 Hz) | m <sup>3</sup> /h  | 154,4        |
| Displacement @ (1740 rpm - 60 Hz) | m <sup>3</sup> /h  | 185,3        |
| Power supply                      | V/ph/Hz/Connection | 400/3/50/PWS |
| MRA                               | A                  | 77,9         |
| LRA                               | A                  | 159,2        |
| LRA DOL                           | A                  | 273          |
| Maximum frequency                 | Hz                 | 70           |
| Minimum frequency                 | Hz                 | 30           |
| Net weight                        | kg                 | 240          |
| Oil charge                        | l                  | 7,2          |
| Maximum operating pressure HP     | bar                | 30           |
| Maximum static pressure LP        | bar                | 20,5         |
| Capacity step                     | %                  | 100-83-67-50 |

## Standard accessories - Z40-154Y

Suction and discharge valves with soldering connection

Packing ensuring proper handling and protection

PTC discharge temperature sensor

T00EC50-RIC

Electronic oil pressure switch

T00EC1630DRIC

IP65 terminal box

Oil level sight glass(es)

Electronic protection and diagnostic module INT69TML Diagnose

T00ECA11D

Rubber vibration dampers (4 pcs)

Nitrogen protective charge

## Optional accessories - Z40-154Y

Special voltage for electrical motor

Crankcase heater

CC capacity control head

RSH capacity control head

US unloaded start head

Electronic oil level switch

T00WK252

Head Cooling Fan

FLI liquid injection kit

Oil Equalizing Fitting with valve

USB adapter for Diagnose

T00EC57

Bluetooth Module for Diagnose

T00EC69

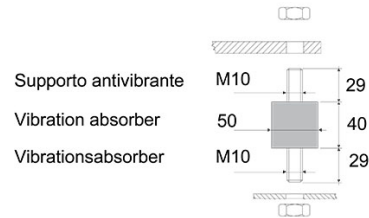
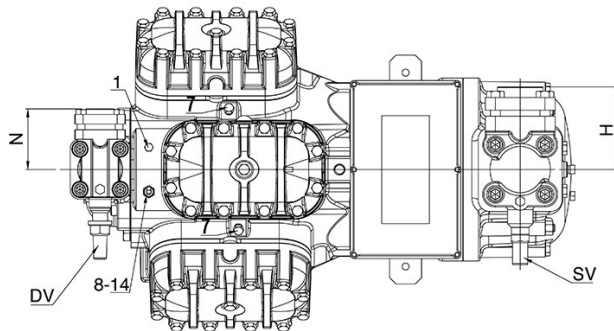
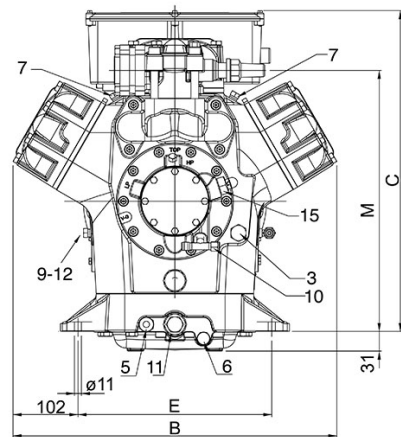
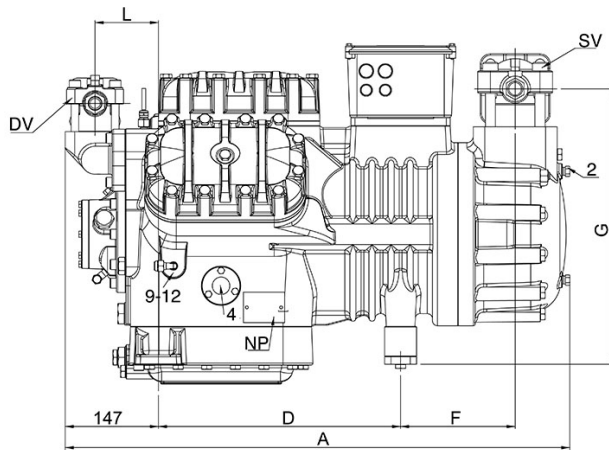
Modbus connection cable

T00EC65

DP-Modbus gateway

T00EC59

Special painting



## Position and connections:

|   |      |          |
|---|------|----------|
| SV: Suction Valve                               | mm   | 67       |
| SV: Suction Valve                               | inch | 2 5/8"   |
| DV: Discharge valve                             | mm   | 42       |
| DV: Discharge valve                             | inch | 1 5/8"   |
| A: Length                                       | mm   | 794      |
| B: Width  | mm   | 509      |
| C: Height                                       | mm   | 536      |
| D: Base mounting                                | mm   | 381      |
| E: Base mounting                                | mm   | 305      |
| F: Suction Valve                                | mm   | 180      |
| G: Suction Valve                                | mm   | 433      |
| H: Suction Valve                                | mm   | 130      |
| L: Discharge valve                              | mm   | 100      |
| M: Discharge valve                              | mm   | 411      |
| N: Discharge valve                              | mm   | 95       |
| 1: High pressure connection                     |      | 1/8" NPT |
| 2: Low pressure connection                      |      | 1/4" NPT |
| 3: Oil charge plug                              |      | 3/8" GAS |
| 4: Oil level sight glass                        |      | -        |
| 5: Crankcase heater seat                        |      | -        |
| 6: Oil drain plug                               |      | 1/4" GAS |
| 7: Liquid injection plug                        |      | 1/8" NPT |
| 8: Liquid injection sensor plug                 |      | 1/8" NPT |
| 9: Oil pressure switch connection (LP)          |      | 1/4" NPT |
| 10: Oil pressure switch connection (HP)         |      | 1/4" SAE |
| 11: Oil filter                                  |      | 3/8" GAS |
| 12: Oil return plug                             |      | 1/4" NPT |
| 14: Max discharge temperature sensor connection |      | 1/8" NPT |
| 15: Electronic oil pressure switch connection   |      | -        |
| NP: Nameplate                                   |      | -        |