

## Data Sheet

Shut-off valve  
Type **QDV 15**

Quick Closing Drain Valve designed particularly for draining oil from systems



QDV is a shut-off valve, designed particularly for draining oil from systems containing refrigerant (ammonia) under pressure.

The valve will close immediately on release of the handle, thus protecting user and environment against unnecessary refrigerant leaks. The valve should as a rule be installed as illustrated in fig. 1.

In order to prevent hydraulic pressure building up between the stop valve and the QDV an integral relief device is included as part of the cone arrangement, which will open at approx. 16 bar (232 psig).

QDV is designed to meet the safety demands specified by national and international authorities within industrial refrigeration.

**Features:**

- Applicable to R717 (ammonia)
- Meets the safety demands within industrial refrigeration
- Handle can be positioned 360°
- Built-in integral relief device opening when 16 bar (232 psig) is exceeded. (preventing hydraulic pressure building up between shut-off valve and QDV)
- Can be supplied together with a stop valve for quick on site mounting (fig. 1)
- Max. operating pressure: 40 bar (580 psig)
- Temperature range: -50 °C – +150 °C (-58 °F – +302 °F)
- Classification: DNV, CRN, BV, EAC etc. To get an updated list of certification on the products please contact your local Danfoss Sales Company.

## Media

### **Refrigerants**

Liquid refrigerant can be trapped between the stop valve and drain valve causing an unsafe, high-pressure situation, or potentially damaging either valve.

The internal relief device in the Danfoss QDV allows refrigerant to slowly bleed if internal valve pressure exceeds 16 bar (232 psig). Further, the valve is easily actuated by hand (without tools), and has an internal spring mechanism to instantly close the valve if the actuator is let go. All QDV valves are in angle orientation with FPT outlet, suitable for safe draining.

### **New refrigerants**

Danfoss products are continually evaluated for use with new refrigerants depending on market requirements.

When a refrigerant is approved for use by Danfoss, it is added to the relevant portfolio, and the R number of the refrigerant (e.g. R513A) will be added to the technical data of the code number. Therefore, products for specific refrigerants are best checked at [store.danfoss.com/en/](https://store.danfoss.com/en/), or by contacting your local Danfoss representative.

**Product specification**

**Pressure and temperature data**

QDV is a backpressure dependent valve. If any tube or hose is mounted on the outlet of the QDV it has to be calculated to prevent back pressure building up when relieving.

For further information please see installation guide for QDV. Flammable hydrocarbons are not recommended, for further information please contact your **local Danfoss Sales Company**.

Figure 1: QDV

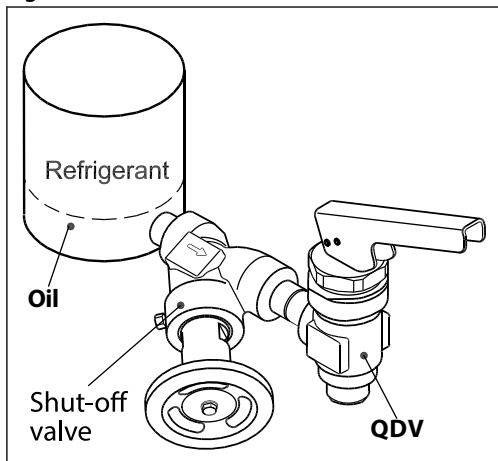


Table 1: Pressure and temperature

|                            |                                   |
|----------------------------|-----------------------------------|
| Temperature range          | -50 °C – 150 °C (-58 °F – 302 °F) |
| Maximum operating pressure | 40 bar (580 psig)                 |

**Material specification**

Figure 2: QDV 15

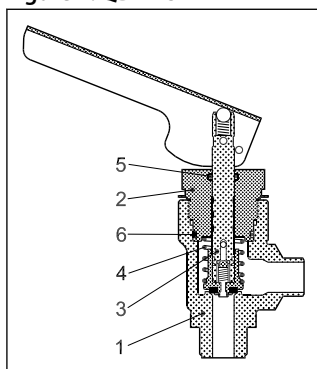


Table 2: QDV 15

| No. | Part         | Material                        | DIN/EN                | ASTM      |
|-----|--------------|---------------------------------|-----------------------|-----------|
| 1   | Housing      | Steel                           | G20Mn5QT<br>EN10213-3 | LCC A352  |
| 2   | Bonnet       | Steel<br>St37-2                 | S235JR<br>EN 10025    | AISI 1015 |
| 3   | Spindle/Cone | Stainless steel<br>X10CrNiS18-9 | S189<br>EN 10088-3    | AISI 303  |
| 4   | Spring       | Steel                           |                       |           |
| 5   | O-ring       | Cloroprene                      |                       |           |
| 6   | O-ring       | Cloroprene                      |                       |           |

## Shut-off valve, Type QDV 15

Figure 3: Hose connection for outlet

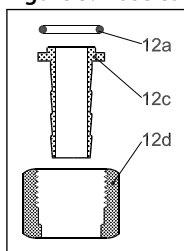


Table 3: Hose connection for outlet

| No. | Part                      | Material              |
|-----|---------------------------|-----------------------|
| 12a | O-rings                   | Cloroprene (Neoprene) |
| 12c | Stub for hose - OD Ø15 mm | Steel                 |
| 12d | Union nut - G 3/4"        | Steel                 |

Figure 4: Welding nipple connection for outlet

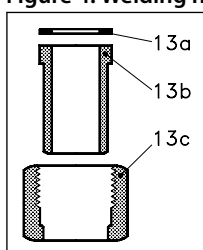


Table 4: Welding nipple connection for outlet

| No. | Part                         | Material       |
|-----|------------------------------|----------------|
| 13a | Al-packing                   | Aluminium      |
| 13c | Welding nipple - OD Ø21.3 mm | Steel (S235JR) |
| 13d | Union nut - G 3/4"           | Steel          |

## Connections

Table 5: Available with the following connections:

| Inlet                              | Outlet                            |
|------------------------------------|-----------------------------------|
| Welding DIN (EN 10220)             | G 3/4 in. pipe thread (ISO 228/1) |
| 1/2 in. FPT                        | 1/2 in. FPT                       |
| 3/4 in. FPT                        | 3/4 in. FPT                       |
| <b>Optional extras for outlet:</b> |                                   |
| Welding nipple DIN (EN 10220)      |                                   |
| Hose connection                    |                                   |

### **i** NOTE:

Other types of connection are available on request.

### QDV - SVA combination

Combinations of the QDV together with a dedicated SVA have been established for easy selection. Please see page 6 to find the code numbers for these combinations.

## Installation

For further information refer to installation guide for QDV.

## Shut-off valve, Type QDV 15

Figure 5: QDV 15 DIN 15

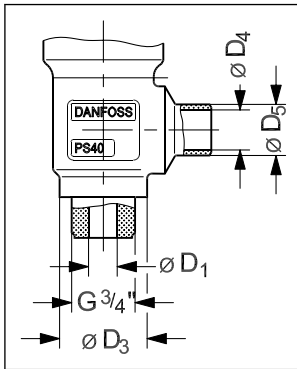


Figure 6: QDV 15 1/2" FPT

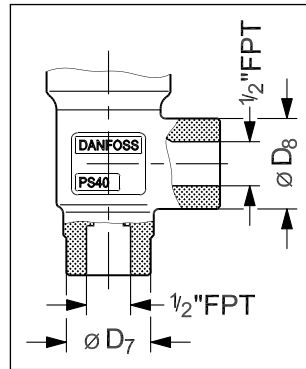


Figure 7: QDV 15 3/4" FPT

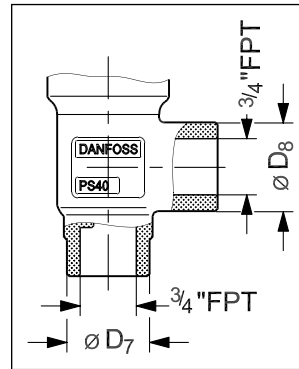


Figure 8: QDV 15 DIN 15

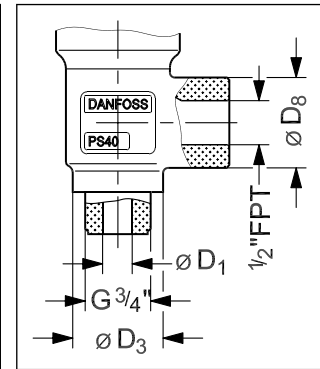


Table 6: QDV 15 DIN 15

| Type          |     | ØD1  | ØD3  | ØD4  | ØD5  |
|---------------|-----|------|------|------|------|
| QDV 15 DIN 15 | mm  | 12   | 36.5 | 16.7 | 21.3 |
|               | in. | 0.47 | 1.44 | 0.66 | 0.84 |

Table 7: QDV 15 1/2" FPT

| Type            |     | ØD7  | ØD8  |
|-----------------|-----|------|------|
| QDV 15 1/2" FPT | mm  | 34   | 36.5 |
|                 | in. | 1.34 | 1.44 |

Table 8: QDV 15 3/4" FPT

| Type            |     | ØD7  | ØD8  |
|-----------------|-----|------|------|
| QDV 15 3/4" FPT | mm  | 34   | 36.5 |
|                 | in. | 1.34 | 1.44 |

Table 9: QDV 15 DIN 15

| Type          |     | ØD1  | ØD3  | ØD8  |
|---------------|-----|------|------|------|
| QDV 15 DIN 15 | mm  | 12   | 36.5 | 34   |
|               | in. | 0.47 | 1.44 | 1.34 |

## Dimensions and weight

Figure 9: QDV 15 (stand alone)

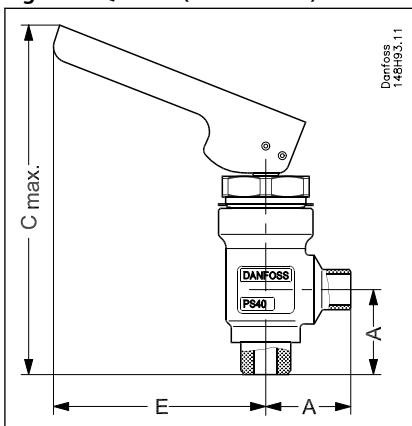


Figure 10: QDV 15 mounted on SVA valve

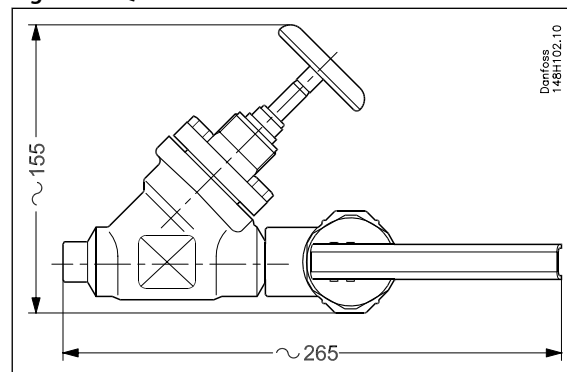


Table 10: Dimensions

| Valve size |     | A    | C <sub>max</sub> | E    |
|------------|-----|------|------------------|------|
| QDV 15     | mm  | 45   | 185              | 109  |
|            | in. | 1.77 | 7.28             | 4.29 |

## Ordering

How to order: The table below is used to identify the valve required

**Table 11: Ordering**

| Type  | Inlet     | Outlet    | Code no.        |
|---|-----------|-----------|-----------------|
| QDV 15 DN 15  | DN 15     | G ¾ in.   | <b>148H3272</b> |
| QDV 15 ½ in. FPT  | ½ in. FPT | ½ in. FPT | <b>148H3273</b> |
| QDV 15 ¾ in. FPT  | ¾ in. FPT | ¾ in. FPT | <b>148H3274</b> |
| QDV 15 DN 15 + SVA-S DN 15 H-WHEEL <sup>(1)</sup>         | DN 15     | G ¾ in.   | <b>148H3310</b> |
| QDV 15 ½ in. FPT + SVA-S SOC ½ in. H-WHEEL <sup>(1)</sup> | ½ in. SOC | ½ in. FPT | <b>148H3311</b> |
| Fittings for hose connection - G ¾"                       |           |           | <b>148H3451</b> |
| Fittings for welding connection - G ¾"                    |           |           | <b>148H3452</b> |

<sup>(1)</sup> Two valves are supplied in one box and should be mounted on site. The indicated inlet is for the stop valve - The indicated outlet is for the oil drain valve.

**i NOTE:**

Where products need to be certified according to specific certification societies or where higher pressures are required, please contact [Danfoss Learning](#).

## Certificates, declarations, and approvals

The list contains all certificates, declarations, and approvals for this product type. Individual code number may have some or all of these approvals, and certain local approvals may not appear on the list.

Some approvals may change over time. You can check the most current status at [danfoss.com](http://danfoss.com) or contact your local Danfoss representative if you have any questions.

**Table 12: Valid Approvals**

| File name            | Document type                   | Document topic        | Approval authority |
|----------------------|---------------------------------|-----------------------|--------------------|
| UA.089.D.00195-15    |                                 |                       | LLC CDC EURO-TYSK  |
| 033F0691.AC          |                                 |                       | Danfoss            |
| 033F0691.AA          |                                 |                       | Danfoss            |
| 033F0686.AB          |                                 |                       | Danfoss            |
| 033F0686.AD          |                                 |                       | Danfoss            |
| DK-AR45-B00650       | Electrical - Safety Certificate | POCC                  | GOST               |
| 19.10048.266         | Marine - Safety Certificate     |                       | RMRS               |
| 033F0691.AD          | Manufacturers Declaration       | RoHS                  | Danfoss            |
| 033F0686.AG          | Manufacturers Declaration       | PED                   | Danfoss            |
| 0C19205.2            | Pressure - Safety Certificate   | CRN                   | TSSA               |
| 0C18678.513467890    | Pressure - Safety Certificate   | CRN YTN               | TSSA               |
| 11-1-0310-2012       | Explosive - Safety Certificate  |                       | GPN                |
| RU Д-ДК.Б/08.В.03707 | EAC Declaration                 | Machinery & Equipment | EAC                |
| UA.089.D.00188-17    | UA Declaration                  | PED                   | LLC CDC EURO TYSK  |
| UA.TR-089.0993-17    | Pressure - Safety Certificate   | PED                   | LLC CDC EURO TYSK  |
| UA1.069.0101254-15   | Pressure - Safety Certificate   | PED                   | UkrCEPRO           |

## Online support

Danfoss offers a wide range of support along with our products, including digital product information, software, mobile apps, and expert guidance. See the possibilities below.

### The Danfoss Product Store



The Danfoss Product Store is your one-stop shop for everything product related—no matter where you are in the world or what area of the cooling industry you work in. Get quick access to essential information like product specs, code numbers, technical documentation, certifications, accessories, and more.

Start browsing at [store.danfoss.com](https://store.danfoss.com).

### Find technical documentation



Find the technical documentation you need to get your project up and running. Get direct access to our official collection of data sheets, certificates and declarations, manuals and guides, 3D models and drawings, case stories, brochures, and much more.

Start searching now at [www.danfoss.com/en/service-and-support/documentation](https://www.danfoss.com/en/service-and-support/documentation).

### Get local information and support



Local Danfoss websites are the main sources for help and information about our company and products. Find product availability, get the latest regional news, or connect with a nearby expert—all in your own language.

Find your local Danfoss website here: [www.danfoss.com/en/choose-region](https://www.danfoss.com/en/choose-region).

### Danfoss Learning



Danfoss Learning is a free online learning platform. It features courses and materials specifically designed to help engineers, installers, service technicians, and wholesalers better understand the products, applications, industry topics, and trends that will help you do your job better.

Create your Danfoss Learning account for free at [www.danfoss.com/en/service-and-support/learning](https://www.danfoss.com/en/service-and-support/learning).

### Spare Parts



Get access to the Danfoss spare parts and service kit catalog right from your smartphone. The app contains a wide range of components for air conditioning and refrigeration applications, such as valves, strainers, pressure switches, and sensors.

Download the Spare Parts app for free at [www.danfoss.com/en/service-and-support/downloads](https://www.danfoss.com/en/service-and-support/downloads).

### Coolselector®2 - find the best components for you HVAC/R system



Coolselector®2 makes it easy for engineers, consultants, and designers to find and order the best components for refrigeration and air conditioning systems. Run calculations based on your operating conditions and then choose the best setup for your system design.

Download Coolselector®2 for free at [coolselector.danfoss.com](https://coolselector.danfoss.com).

### Danfoss A/S

Climate Solutions • [danfoss.com](https://danfoss.com) • +45 7488 2222

Any information, including, but not limited to information on selection of product, its application or use, product design, weight, dimensions, capacity or any other technical data in product manuals, catalogues descriptions, advertisements, etc. and whether made available in writing, orally, electronically, online or via download, shall be considered informative, and is only binding if and to the extent, explicit reference is made in a quotation or order confirmation. Danfoss cannot accept any responsibility for possible errors in catalogues, brochures, videos and other material. Danfoss reserves the right to alter its products without notice. This also applies to products ordered but not delivered provided that such alterations can be made without changes to form, fit or function of the product.

All trademarks in this material are property of Danfoss A/S or Danfoss group companies. Danfoss and the Danfoss logo are trademarks of Danfoss A/S. All rights reserved.