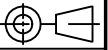


NOTE : FASCO AUSTRALIA IS HAPPY TO PROVIDE TECHNICAL ASSISTANCE TO OUR CUSTOMERS IN MANY AREAS. HOWEVER, SINCE FASCO AUSTRALIA IS NOT AWARE OF ALL DATA CONCERNING THE USE AND APPLICATION OF THIS MOTOR, THE SUITABILITY OF THE MOTOR FOR THE APPLICATION MUST BE DETERMINED BY AND IS THE RESPONSIBILITY OF THE CUSTOMER.



MOTOR SPECIFICATION

CUSTOMER	-----			
CUSTOMER P/N	-----			
QR No.	----	CAPACITOR	uf / V	
POWER OUTPUT	4.3 W	START	----	
MOTOR TYPE	S/POLE	RUN	----	
SUPPLY	VOLTS	HERTZ	PHASE	POLES
	240	50	1	2
ENCLOSURE	CLIP ON BOBBIN			
SPEED (RPM) AT RATED OUTPUT	1300±100	WINDING TYPE	SINGLE SP.	
ROTATION	CLOCKWISE			
INSULATION CLASS	B	DUTY	AOM	
THERMAL PROTECTION	ZP			
RATED CURRENT	0.3A			
APPLICATION	REFRIGERATION MOTOR			
MOUNTING	BOBBIN & SCREWS			
BEARING & LUBRICATION	626ZZ 140°C GREASE			
SUPPLY LEAD	COLOUR	BLACK		
	LENGTH	AS NOTED		
	TERMINALS	AS SHOWN		
	Q.C. HOUSING	-----		
<input checked="" type="checkbox"/> MULTI STRAND				
<input type="checkbox"/> SINGLE CORE				
EARTH PROVISION	-----			
BASIC BUILD SPECIFICATION	-----			
PERFORMANCE SPECIFICATION	SPM53016-01			
SHAFT MATERIAL	MILD STEEL			
CONNECTION DIAGRAM	-----	PAINT SPEC	CLEAR VARNISH	
	SPECIAL REQUIREMENTS			

PACKAGING

20 - MOTORS PER BOX
ADDITIONAL PROTECTION :-
 CORROSION INHIBITING PAPER IN EACH BOX
 SHAFT COATED WITH RUST INHIBITOR
PALLET AND BOX LABELS TO HAVE:-
 FASCO NUMBER
 DATE OF MANUFACTURE
 QUANTITY
 WEIGHT

PACK PARTS IN PLASTIC BAG AND ATTACH TO MOTOR LEAD.
 2 - NUT 5/32" B.S.W. 5/16" A/F HEX ZINC PLATED
 2 - 4 DIA INTERNAL SHAKEPROOF WASHER ZINC PLATED.

DIMENSIONS IN mm UNLESS OTHERWISE SPECIFIED
 GENERAL TOLERANCES
 LINEAR: X = ±1.0
 XX = ±0.25
 XXX = ±0.1
 ANGULAR: X = 2°
 XX = ±0.5°
 SURFACE FINISHES MAX 3.0 MICRO METRES
 SYMBOLS PER A.S. 1100

This drawing remains the property of Fasco Australia Pty. Ltd.
 No part or parts of this drawing may be reproduced without written permission.

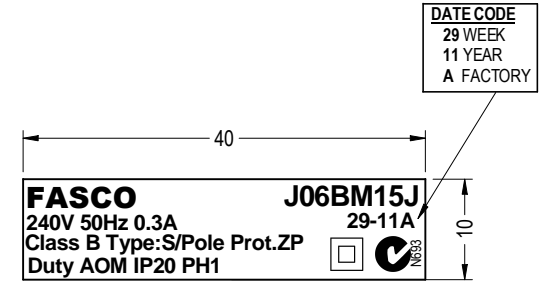
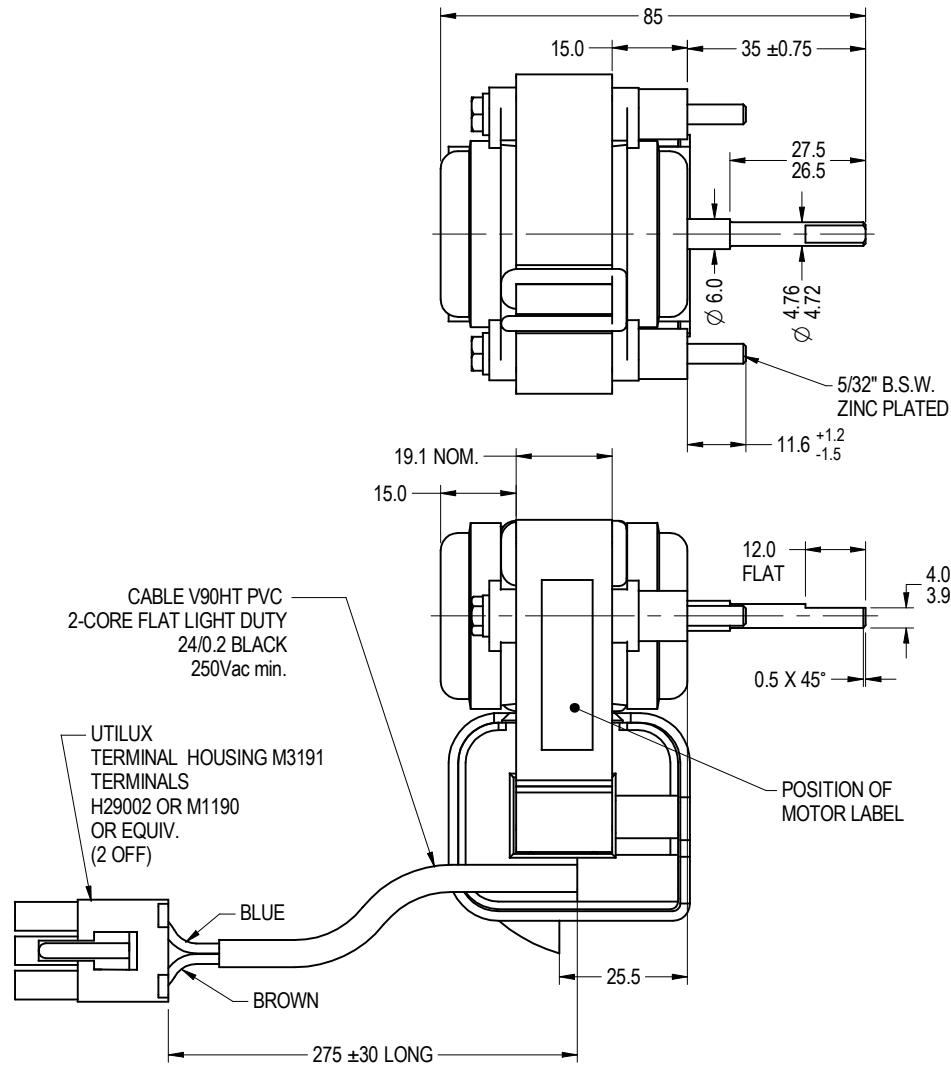
MOTL		
FINISH		
DRAWN	MURFETTR	20/10/11
CHECKED	BALCHANT	13/01/12
RELEASED	BALCHANT	13/01/12
SCALE	1:1	



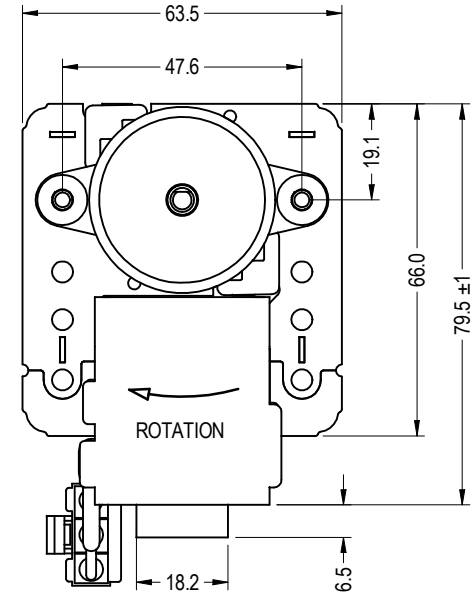
FRAME
STATUS
R
SHEET
A3

.MOTOR		REVISION
240V 50HZ 1SP CW		A
DWG. NO.	J06BM15J	

DO NOT SCALE PRINT



DETAIL OF MOTOR LABEL



MIC No. 003699
 By: MURFETTR
 Date: 11/01/12
 MIC No. FIRST SOLID EDGE DRAWING