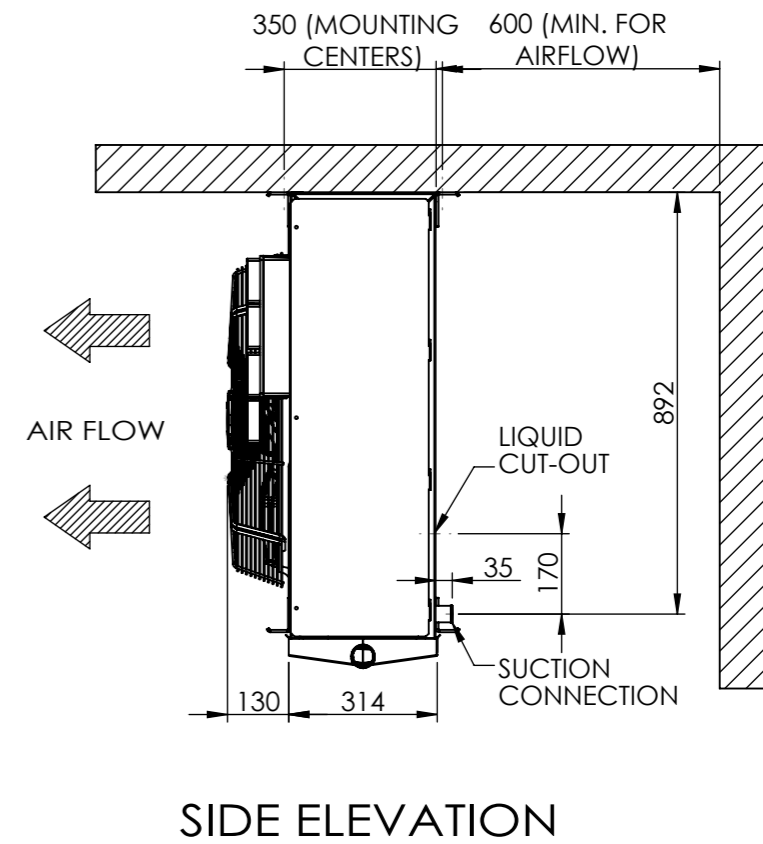
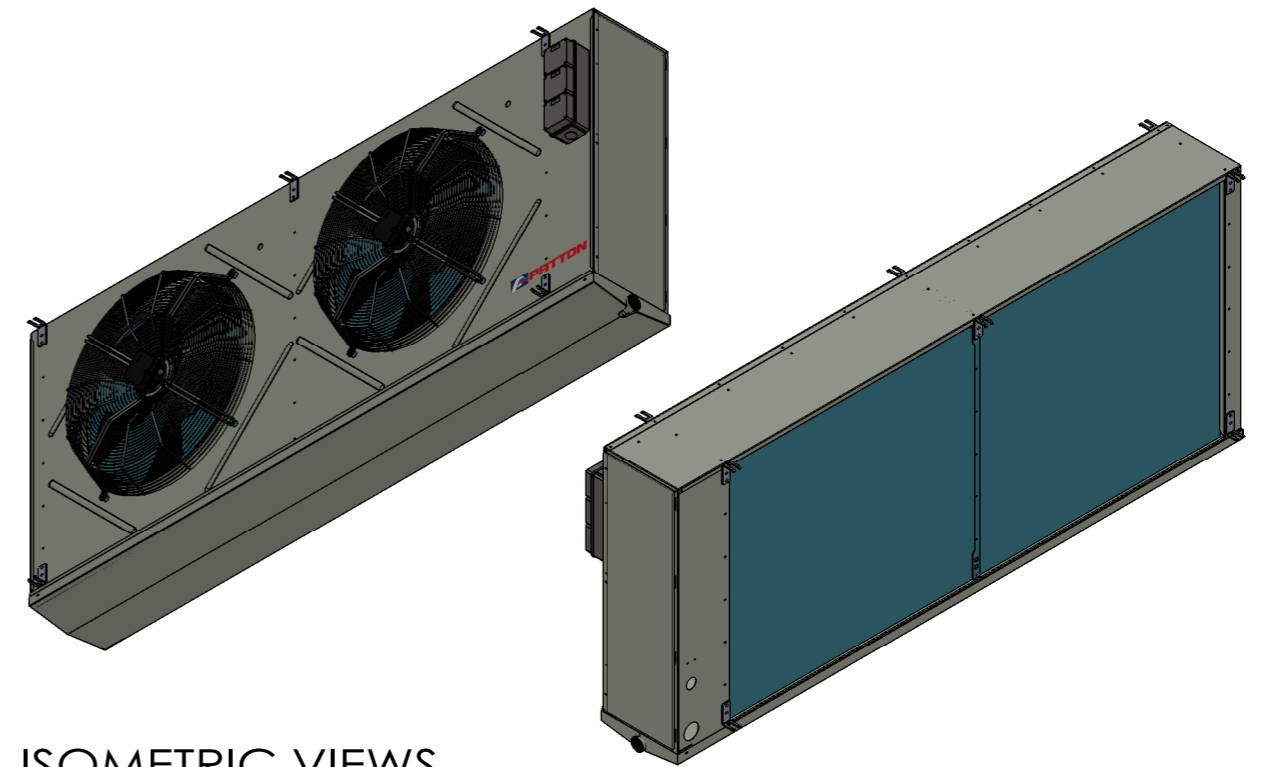


FRONT ELEVATION



SIDE ELEVATION

	MODELS	JMC140 JMC155 JLC100	JMC230 JMC275 JMC305 JLC175 JLC220	JMC340 JMC410 JMC450 JLC260 JLC330	JMC545 JMC605 JLC435
DIMENSIONS	L	1306	2326	3346	3686
	A	1050	1036	1036	1716
FAN(S)		1	2	3	4



ISOMETRIC VIEWS

<b>PROPRIETARY AND CONFIDENTIAL</b>	DO NOT SCALE DRAWING	REVISION: -
<p>THE DRAWING AND INFORMATION CONTAINED HEREIN ARE THE EXCLUSIVE PROPERTIES OF PATTON LIMITED. IT SHALL BE RETURNED UPON DEMAND AND SHALL NOT BE REPRODUCED IN WHOLE OR IN PART, DISCLOSE TO ANYONE ELSE OR USED WITHOUT THE WRITTEN CONSENT OF PATTON LIMITED.</p>	<p>TITLE: JC SERIES GA 1-4 FAN BROCHURE VIEW</p>	
	DWG NO.	A3
	<p>PL01-ASM-JC01</p>	
WEIGHT: 96 - 401 KG	DRAWN BY: DAN K.	SHEET 1 OF 1